

activeMEDICAL

Alrick Accessories Brochure

Issue 1





Contents

01. Accessories not suitable for EN Series	5
02. Accessories suitable for EN Series	9

We are Here to Help

Active Medical are innovative medical equipment manufacturing and supply experts. With over four decades of experience, we stand as the preferred equipment and solution partner for Australia's largest care providers. We combine proven care methodology with innovative manufacturing processes to provide products that craft healthier and safer care environments.

With trusted advisors operating across Australia, we tailor our solutions to deliver unmatched value through clinically

superior products and our signature design capabilities. We provide solutions to the three key sectors of the Australian healthcare industry: Aged Care, Acute Care and Home Care - sustaining lives and enhancing care.

At Active Medical we believe everything should be personal. That's why we have set up world-class manufacturing and distribution centres across Australia, allowing us to take care challenges and turn them into simple solutions. We are the future of healthcare.

Procurement & Distribution

Active Medical has two purpose-built manufacturing facilities in Australia producing equipment designed for the requirements of the Healthcare market. Our manufacturing is focused on automation, this allows us to produce world-class equipment while supporting Australian jobs. All our products are developed, tested and certified to align with the requirements of the Therapeutic Goods Administration and relevant international standards.

We also have developed a network of manufacturers

around the world - from Germany and Sweden to the United States of America and consults directly with industry professionals to ensure the products we provide responds to unique patient specifications.

Our streamlined distribution network allows us to serve healthcare partners anywhere in Australian and ensures faster delivery of equipment and support services. Our own fleet of delivery vehicles & trained installers are ready support you in the room placing & setup of your purchase.



Our Locations

Experience Centres

Brisbane

37 Eagleview Place Eagle Farm QLD 4009

Toowoomba

11 Grange Street Toowoomba QLD 4350

Fraser Coast

81 Boat Harbour Drive Pialba QLD 4655

Sydney

10 Herb Elliott Avenue, Sydney Olympic Park NSW 2127

Melbourne

2/77 Ricky Way Epping VIC 3076

Manufacturing Facilities

Queensland

23 Millenium Place Tingalpa QLD 4173

New South Wales

104 Loughnan Street Lake Cargelligo NSW 2672



*Disclaimer

Active Medical Supplies does not take responsibility for incorrect application of products. This publication is a guide only to assist in selecting products suitable to your clients. Please use in conjunction with professional advice. Products and information listed in this catalogue are subject to change. Website and digital information supercedes all print. For the most up to date information, please contact us directly.

01.

Accessories not suitable for EN

XX	6
XX	6
XX	7
XX	7
XX	8
XX	8



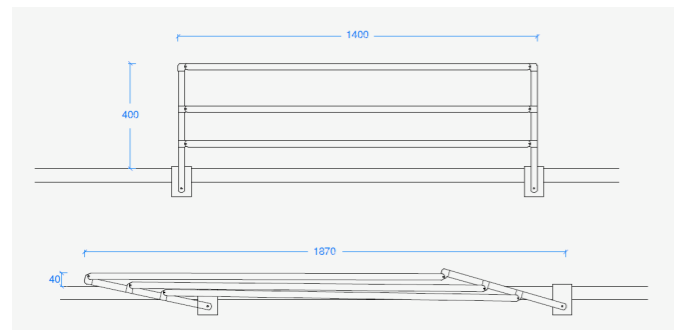
Horizontal 360HR Bed Rails

These sturdy safety side rails are designed to minimise the risk of falls, which are still (unfortunately) a leading cause of injuries in hospitals, nursing homes, and private homes where aging people are being cared for. These rails feature a steel powder finish, are user-friendly, and can be operated using just one hand. They require no special tools to install.

- Sold as a pair
- Ironstone powder coat
- Secured with a spring loaded lock nut
- 155mm between railings
- Custom Options Available

Suitable for:

- Alrick 2300 Series
- Alrick 2400 Series



Specifications:

Product Code	7002
Height	400 mm
Length	1400 mm

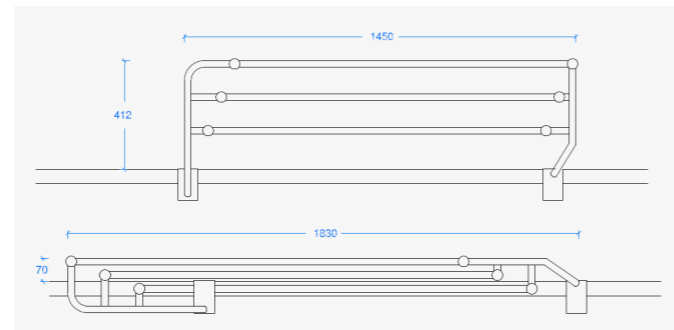
Horizontal 400HR Deluxe Bed Rails

These safety side rails are ideal for preventing the unfortunate falls that can cause injury to long-term patients in nursing homes, hospitals, or private homes.

- Safe and secure design
- Independently tested
- Australian standards
- Sold as a pair
- Powder coated
- Available in 2 colours (Ironstone and APO Grey)
- No tools required to install
- Custom Options Available

Suitable for:

- Alrick 2300 Series
- Alrick 2400 Series



Specifications:

Product Code	7002HR
Height	412 mm
Length	1450 mm



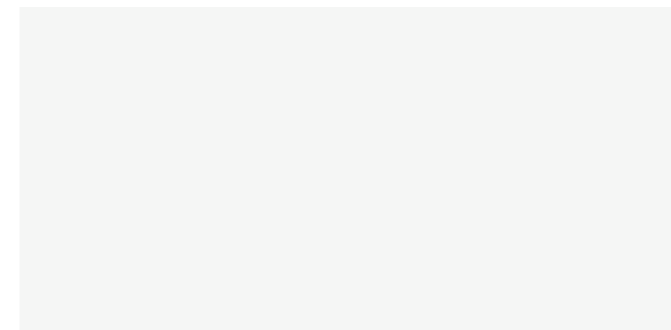
Luxa Horizontal 400HR Bed Rails

The Luxa Horizontal 400HR Bed Rails are an accessory offered on the Luxa Range Beds. These rails offer safety and security in a homecare setting and help the prevention of falls.

- Safe and secure design
- Independently tested
- Australian standards
- Sold as a pair
- Ironstone Powder coated

Suitable for:

- Alrick Luxa Bed



Specifications:

Product Code	7202109
Height	mm
Length	mm

Padded Bed Rail Protectors

The Padded Cotside Protectors offer prevention to injury to the patient. Being covered in PVC Vinyl they are easy to clean, and with the press stud & velcro strip closure makes it easy to attach and remove.

- Grey PVC Vinyl
- Sold as a pair
- Press stud closure underneath
- Adjustable velcro strips at each end

Suitable for:

- 360HR
- 400HR
- 400HR-LUXA



Specifications:

Product Code	3986
--------------	------



Clamp On Support Rail

For maximum patient and carer safety, you won't do better than our Clamp on support rail. This Clamp has been tested and found to be in full compliance with Australian standards. This rail is user-friendly, features a powder coated finish, and is designed to minimise the risk of patient entrapment.

- Quick release
- Powder coated finish
- Independently tested
- Clamp on Support Rail
- Australian standards
- Custom Options Available

Suitable for:

- Alrick 2300 Series
- Alrick 2400 Series
- Staebel P5500
- Nestie Maternity Bed

Specifications:

Product Code 7008



Combo Grab Handle

The Combo Grab Handle provides assistance with sitting and standing, can conserve energy and further reduce the risk of falls. A safety bed rail prevents you from rolling, or falling out, of bed.

- Strong steel construction
- webbing strapping
- SWL 136kg

Suitable for:

- Alrick 2300 Series
- Alrick 2400 Series
- Staebel P5500
- Nestie Maternity Bed
- Staebel EN7 Floorline
- Alrick EN9 Floorline

Specifications:

Product Code 7017



StandEzy Straight Handle

The StandEzy Straight Handle Bed Pole allows residents with reduced mobility, but adequate strength, to manoeuvre themselves safely into a sitting position, to the edge of the bed, stand up and transfer into a chair. The stainless steel vertical pole with rubber handle grip allows patients to have confidence that it will provide a strong and stable support.

- 300kg SWL
- Stainless Steel construction
- Rubber grip handle
- Folds away for safety
- Sits inside safety rail

Suitable for:

- Alrick 2300 Series
- Alrick 2400 Series
- Staebel P5500
- Nestie Maternity Bed

Specifications:

Product Code 7107



StandEzy Hook Handle

The StandEzy hook handle bed pole with rubber grip handle, provides help to patients with complex mobility issues to get into a sitting position, manoeuvre to the edge of the bed, stand up and transfer into a chair. The stainless steel horizontal handle rotates 360 degrees and provides secure support as the person stands, steps or pivot turns and helps them move with physical support, assisted balance and confidence.

- 300kg SWL
- Stainless Steel construction
- Rubber grip handle
- Folds away for safety
- Sits inside safety rail

Suitable for:

- Alrick 2300 Series
- Alrick 2400 Series
- Staebel P5500
- Nestie Maternity Bed

Specifications:

Product Code 7016



Self Help Pole

The ASHP Self Help Pole mounts to all Alrick beds. This offers a solution to assist patents moving in bed and getting out of bed.Quick release

- Mounts to bed
- Includes strap & triangle
- SWL 77kg

Suitable for:

- Alrick 2300 Series
- Alrick 2400 Series
- Staebel P5500
- Nestie Maternity Bed
- Alrick EN9 Bed

Specifications:

Product Code 7003



Bariatric Self Help Pole

The ASHP Self Help Pole mounts to all Alrick beds. This offers a solution to assist bariatric patents moving in bed and getting out of bed.

- Mounts to bed
- Includes strap & triangle
- SWL 140kg

Suitable for:

- Alrick 2300 Series
- Alrick 2400 Series
- Staebel P5500
- Nestie Maternity Bed

Specifications:

Product Code 7003B





Bed Extension

- bed is extended by 20 cm
- Suits longer patients
- Allows the bed to be more versatile
- Available in a range of sizes

Suitable for:

- Alrick 2300 Series (King Single, Extra Wide, Double, Queen, King)
- Staebel P5500 (Single, Extra Wide)
- Alrick EN9 Bed (Single, King Single, Double)

Specifications:

Product Code	7005CEXT
Length	200 mm



Bolster - Foam Mattress Extension

- PVC vinyl cover
- Foam inside
- Extends sleeping surface by 20cm
- suitable for taller patients
- Supports patients ankles and feet
- Allows the bed to become more versatile
- Available in Single, King Single, Extra Wide, Double, Queen, King Double

Suitable for:

- Alrick 2300 Series
- Staebel P5500
- EN Series

Specifications:

Product Code	7010Q
Size	Queen
Length	200 mm



UPS Emergency Power Bed Unit

- Wide input voltage range
- Compatible with generators
- Audible alarm functions
- Full time surge protection
- Low battery voltage
- Automatic battery charging in UPS Mode
- Extending carry handle

Suitable for:

- Alrick 2300 Series
- Alrick 2400 Series
- Staebel P5500
- Nestie
- Staebel EN7
- Alrick EN9

Specifications:

Product Code	7761
--------------	------



IV Pole

Simply fits to socket provided on bed frame

- Chrome finish
- 4 prong
- Telescopic action
- Mounts to bed (not free standing)

Suitable for:

- Alrick 2300 Series
- Alrick 2400 Series
- Staebel P5500
- Nestie
- Staebel EN7
- Alrick EN9

Specifications:

Product Code	7004
--------------	------

02.

EN Series Accessories

xx	6
xx	6
xx	7
xx	7
xx	8
xxx	8
xx	



Self Help Pole for EN7 Floorline Bed

The ASHP Self Help Pole mounts to all Alrick beds. This offers a solution to assist patients moving in bed and getting out of bed.

- Mounts to bed
- Includes strap & triangle
- SWL 77kg

Suitable for:

- Staebel EN7



Specifications:	
Product Code	7753-7
SWL	77 kg

Self Help Pole

The ASHP Self Help Pole mounts to all Alrick beds. This offers a solution to assist patients moving in bed and getting out of bed.

- Mounts to bed
- Includes strap & triangle
- SWL 77kg

Suitable for:

- Alrick 2300 Series
- Alrick 2400 Series
- Staebel P5500
- Nestie Maternity Bed
- Alrick EN9 Bed



Specifications:	
Product Code	7003

IV Pole

Simply fits to socket provided on bed frame

- Chrome finish
- 4 prong
- Telescopic action
- Mounts to bed (not free standing)

Suitable for:

- Alrick 2300 Series
- Alrick 2400 Series
- Staebel P5500
- Nestie
- Staebel EN7
- Alrick EN9

Specifications:	
Product Code	7004



Horizontal 400HR EN7 Bed Rails

These safety side rails are ideal for preventing the unfortunate falls that can cause injury to long-term patients in nursing homes, hospitals, or private homes.

- safe and secure
- Australian standards
- sold as a pair
- powder coated
- Available in 2 colours
- No tools required to install
- Custom Options available
- Available in Single, King Single and Queen

Suitable for:

- Alrick EN9
- Staebel EN7



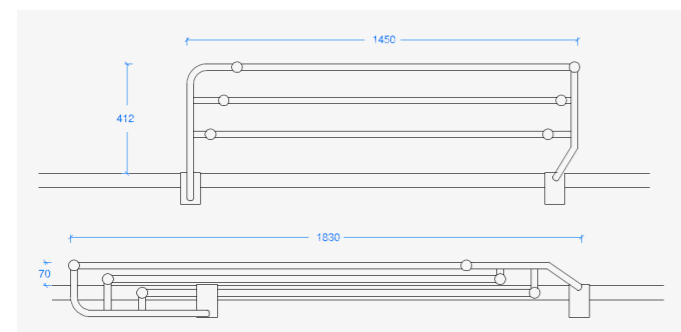
Combo Grab Handle

The Combo Grab Handle provides assistance with sitting and standing, can conserve energy and further reduce the risk of falls. A safety bed rail prevents you from rolling, or falling out, of bed.

- Strong steel construction
- webbing strapping
- SWL 136kg

Suitable for:

- Alrick 2300 Series
- Alrick 2400 Series
- Staebel P5500
- Nestie Maternity Bed
- Staebel EN7 Floorline
- Alrick EN9 Floorline



Specifications:

Product Code	7002HR-8
Height	412 mm
Length	1450 mm

Specifications:

Product Code	7017
SWL	136 kg



Bed Extension for EN Beds

- bed is extended by 20 cm
- Suits longer patients
- Allows the bed to be more versatile
- Available in single, King Single and Double

Suitable for:

- Staebel EN7 Floorline
- Alrick EN9 Bed



Bolster - Foam Mattress Extension

- PVC vinyl cover
- Foam inside
- Extends sleeping surface by 20cm
- suitable for taller patients
- Supports patients ankles and feet
- Allows the bed to become more versatile
- Available in Single, King Single, Extra Wide, Double, Queen, King Double

Suitable for:

- Alrick 2300 Series
- Staebel P5500
- EN Series

Specifications:

Product Code	7005 - 2
Size	Single
Length	200 mm

Specifications:

Product Code	7010Q
Size	Queen
Length	200 mm

